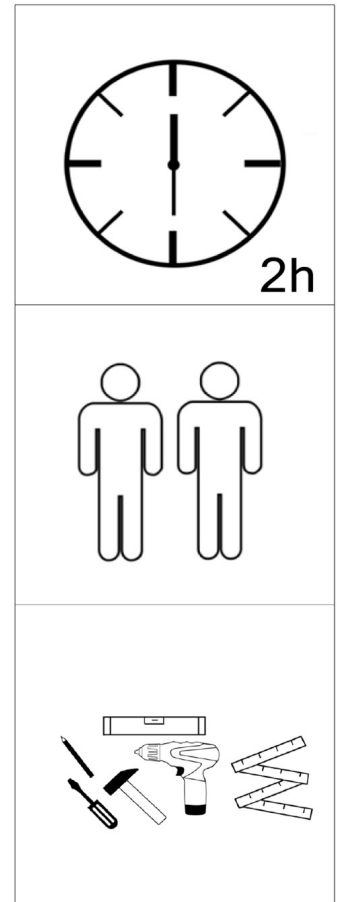
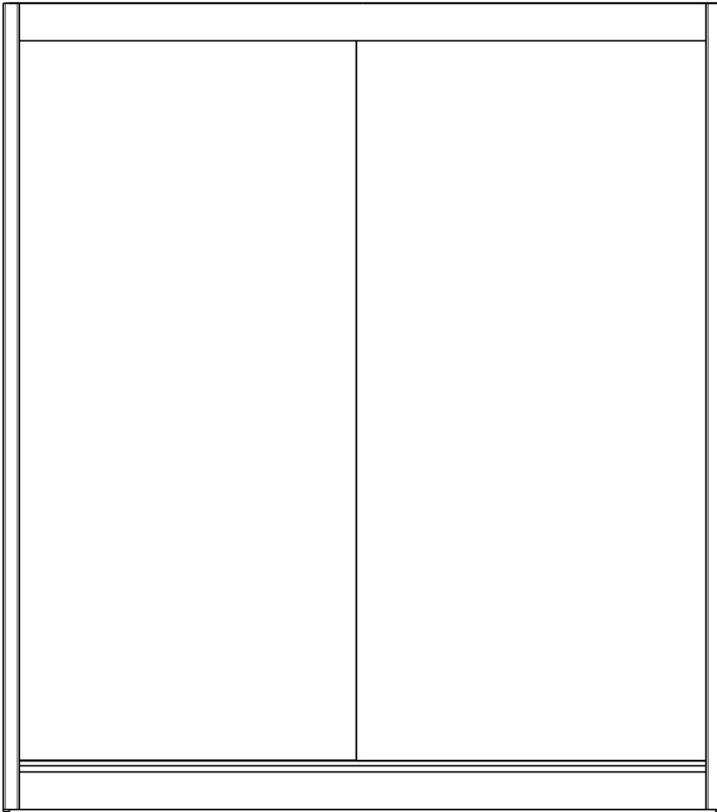
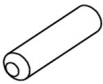
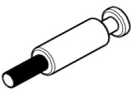


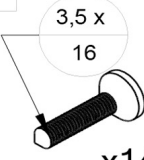
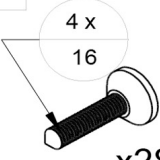
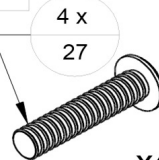
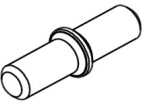

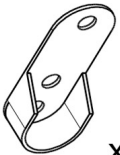

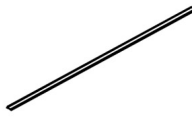



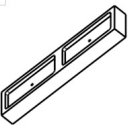

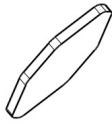

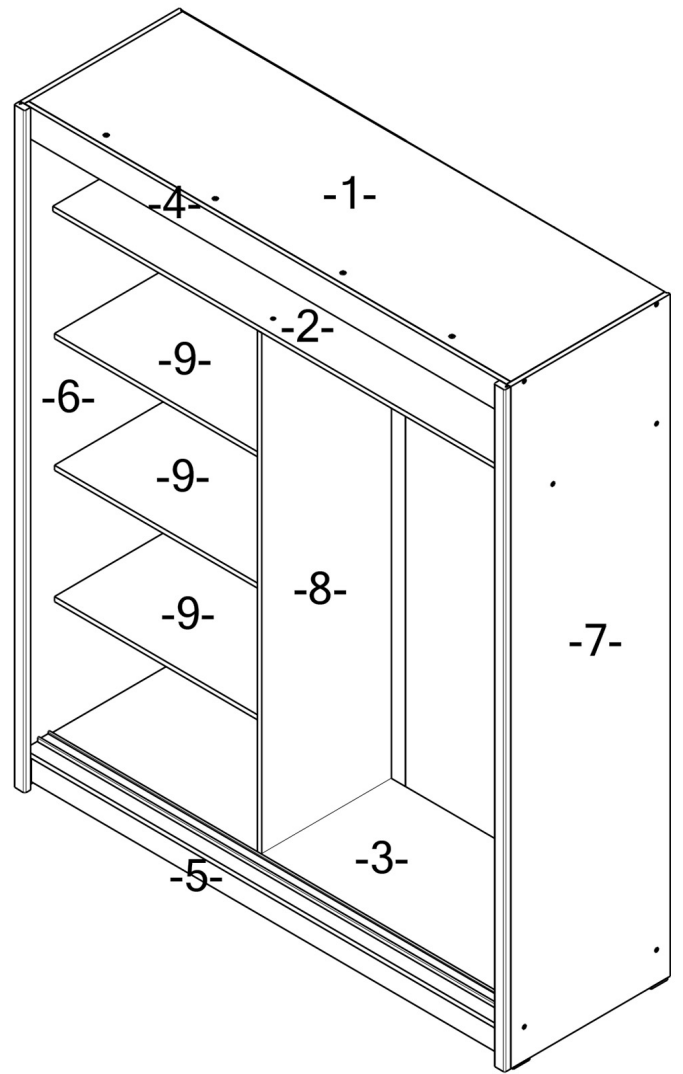


# LADDER

## 120/150/180/203

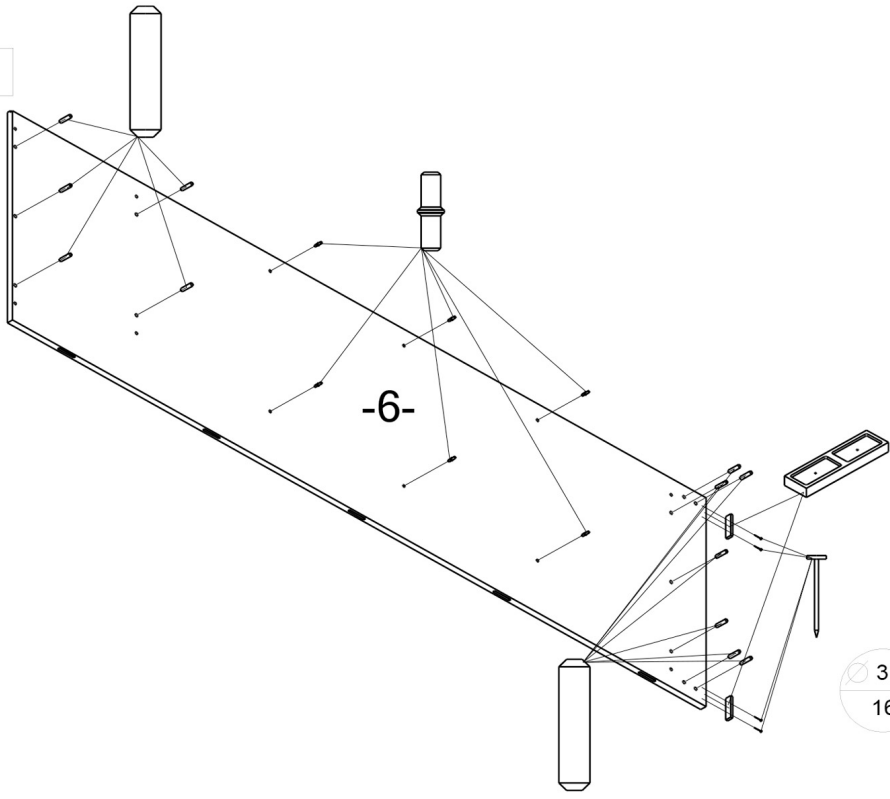


<p>A</p>  <p>x34</p>	<p>B</p>  <p>x4</p>	<p>C</p>  <p>x4</p>	<p>D</p>  <p>x16</p>	<p>E</p>  <p>3,5 x 16</p> <p>x14</p>	<p>F</p>  <p>4 x 16</p> <p>x28</p>	<p>G</p>  <p>4 x 27</p> <p>x4</p>
<p>H</p>  <p>x12</p>	<p>J</p>  <p>x1</p>	<p>K</p>  <p>x2</p>	<p>L</p>  <p>x1</p>	<p>M</p>  <p>x2</p>	<p>N</p>  <p>x8</p>	<p>P</p>  <p>x4</p>
<p>R</p>  <p>x4</p>	<p>T</p>  <p>x8</p>	<p>U</p>  <p>x140</p>	<p>V</p>  <p>x2</p>	<p>W</p>  <p>GLUE</p> <p>x10</p>		



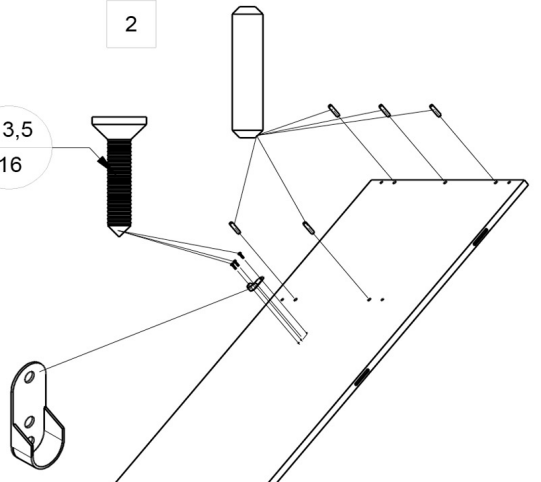
	120	150	180	203	
-1-	1168x565	1468x565	1768x565	1968x565	1/3
-2-	1168x476	1468x476	1768x476	1968x476	1/3
-3-	1168x581	1468x581	1768x581	1968x581	1/3
-4-	1168x70	1468x70	1768x70	1968x70	1/3
-5-	2x 1168x100	2x 1468x100	2x 1768x100	2x 1968x100	1/3
-6-	2150x585	2150x585	2150x585	2150x585	2/3
-7-	2150x585	2150x585	2150x585	2150x585	2/3
-8-	1642x476	1642x476	1642x476	1642x476	2/3
-9-	3x 470x450	3x 600x470	3x 600x470	3x 600x470	2/3
-10-	2x 2050x590	2x 2050x740	2x 2050x890	2x 2050x1005	3/3
-11-	2x 1990x600	2x 1990x750	2x 1990x900	2x 1990x1015	3/3

1



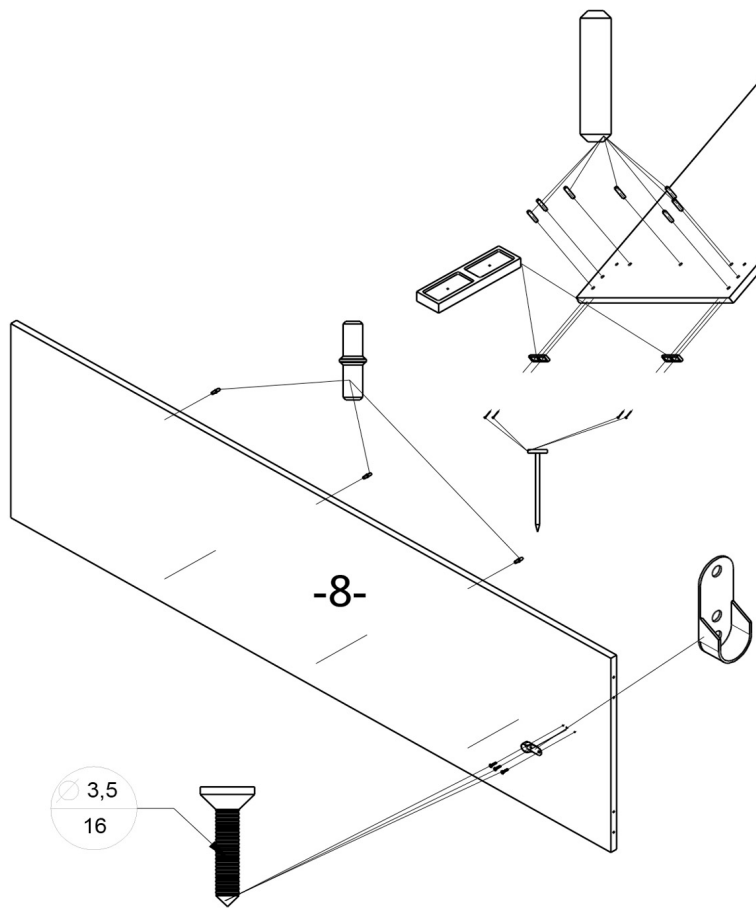
2

3,5  
16



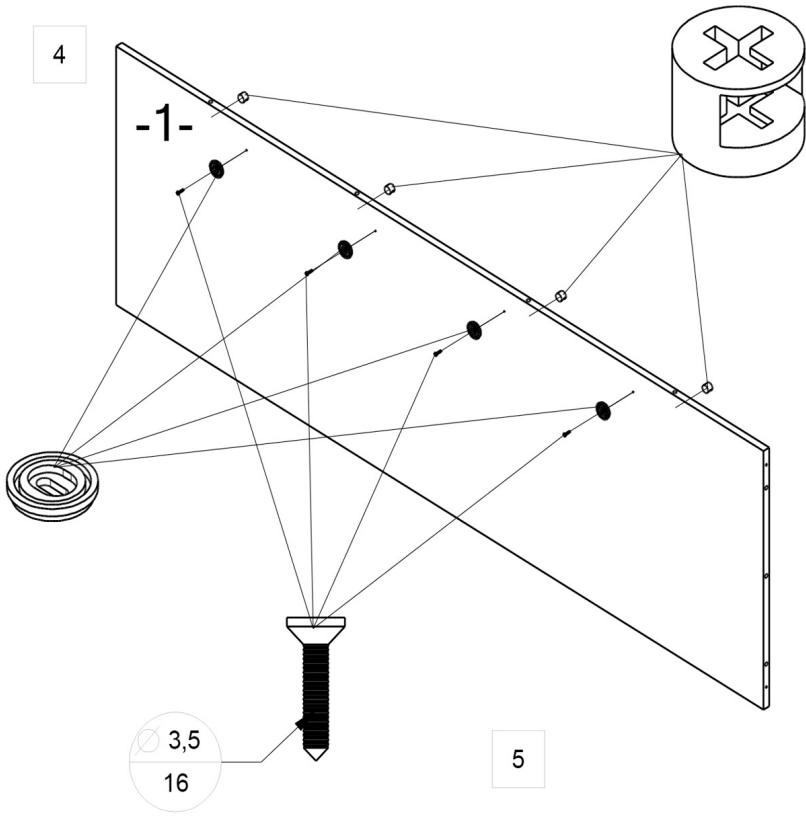
-7-

3

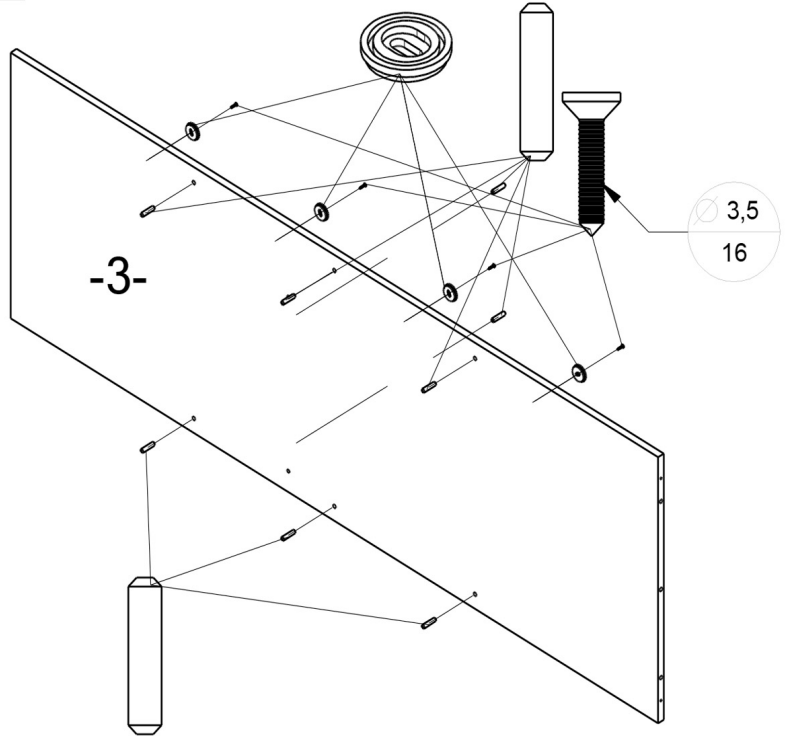


3,5  
16

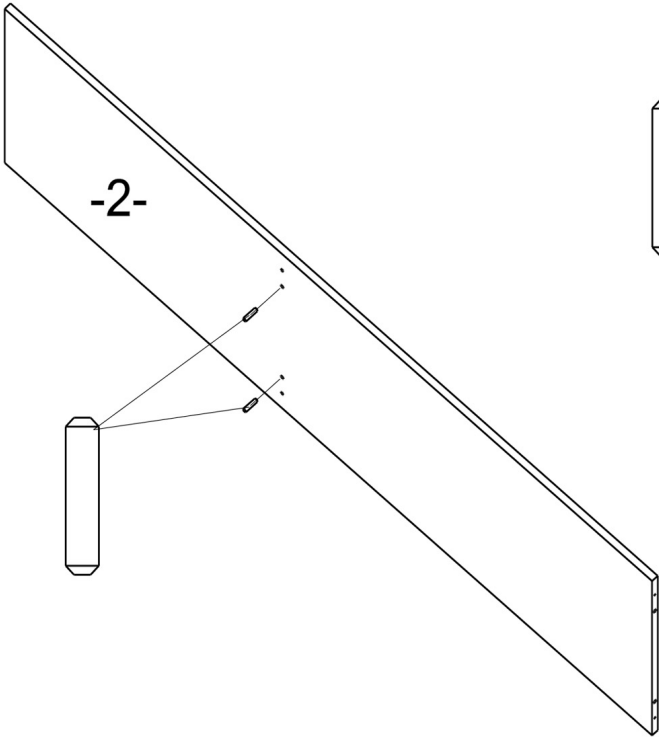
4



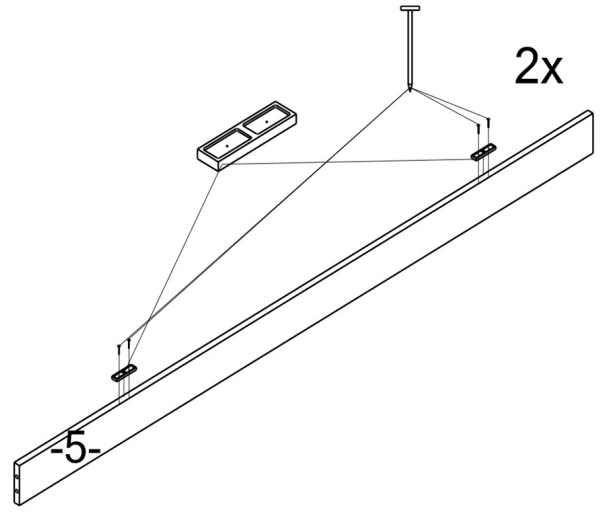
5



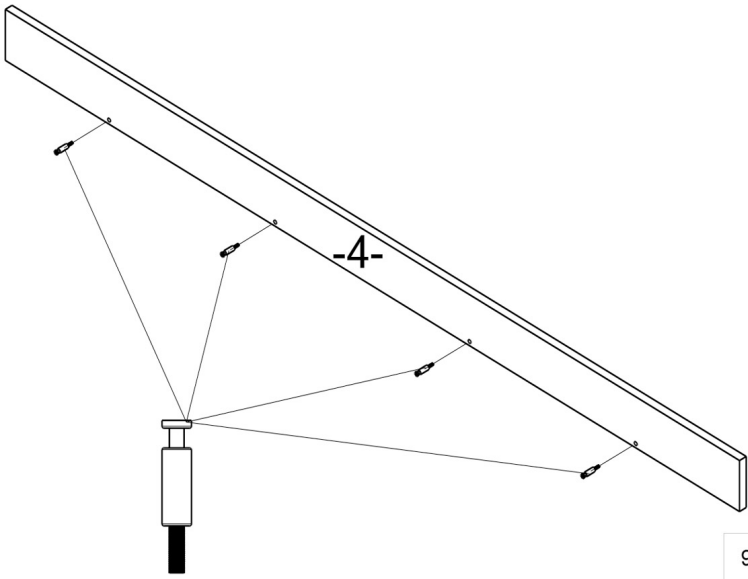
6



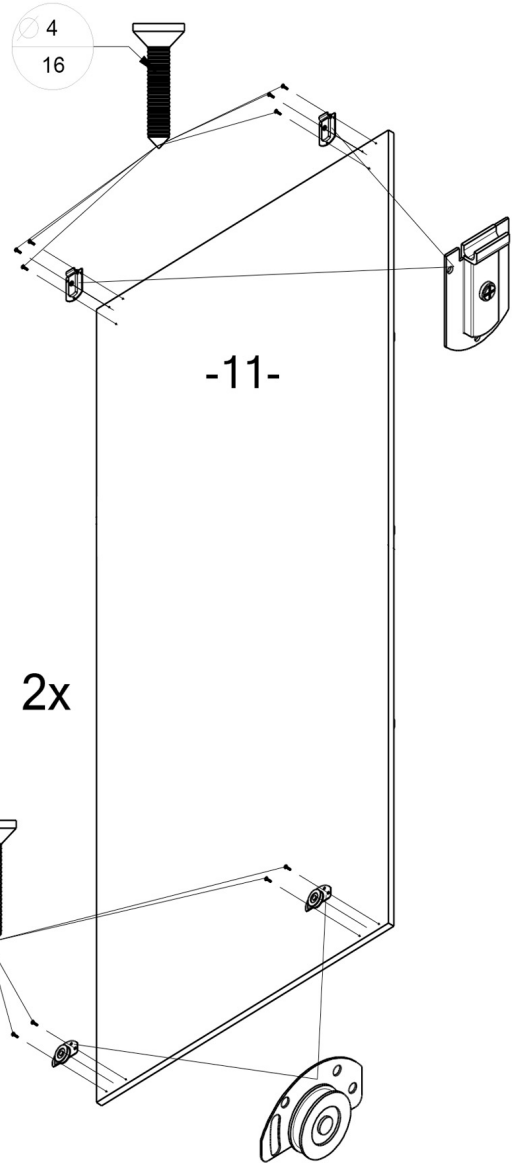
7



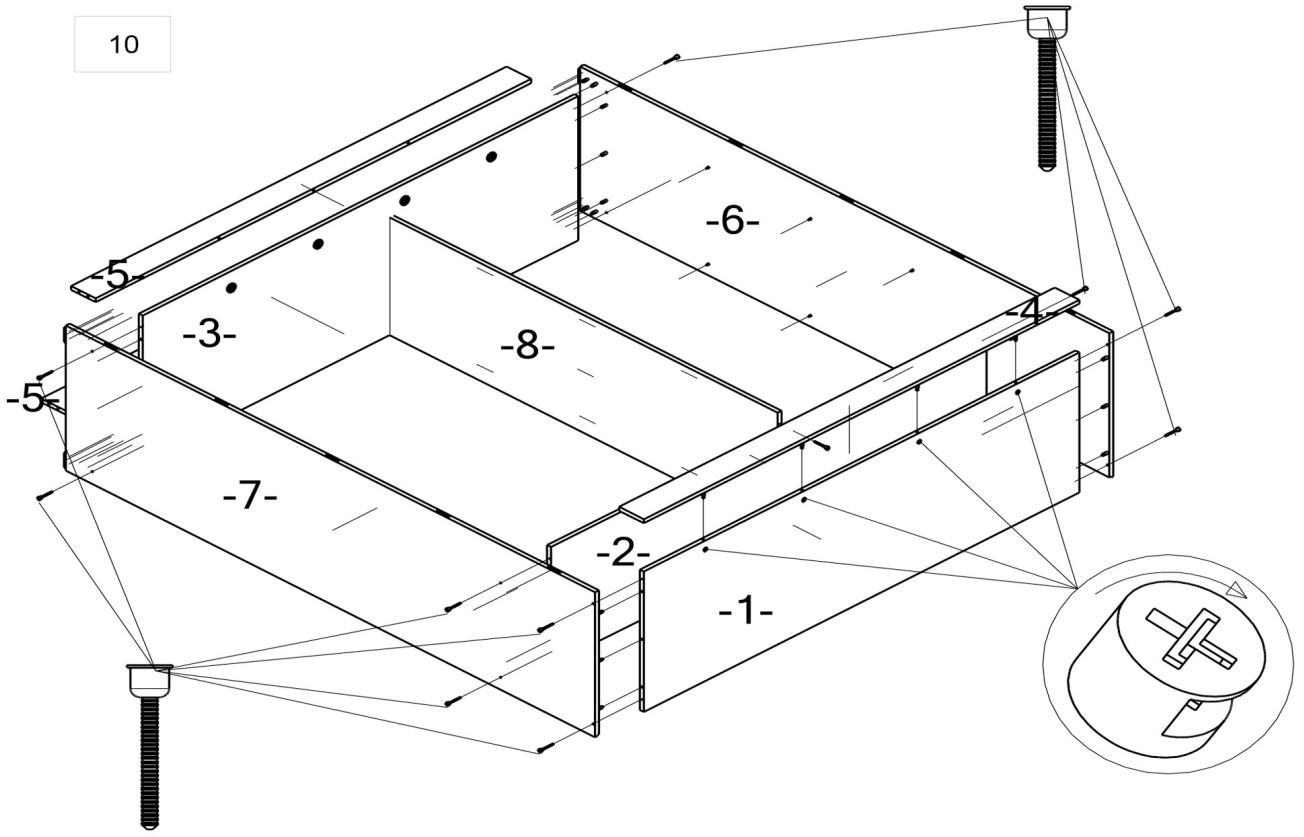
8



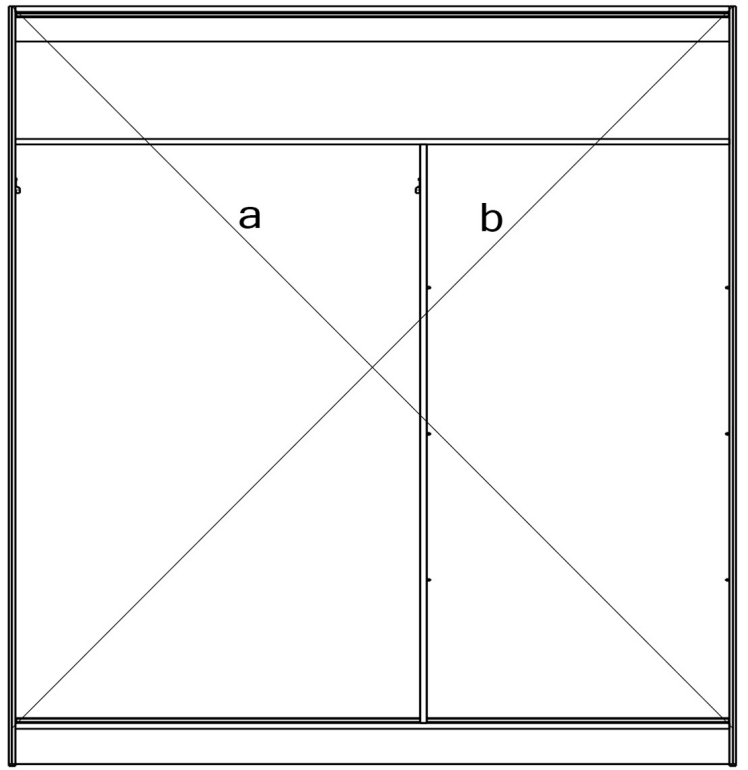
9



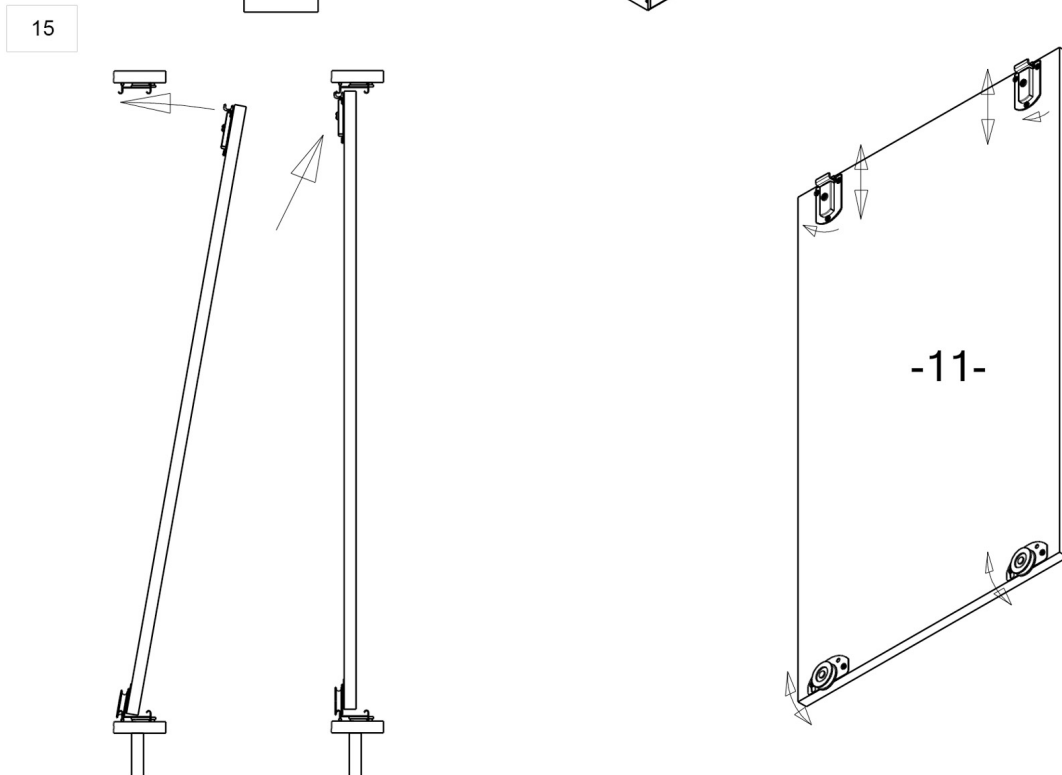
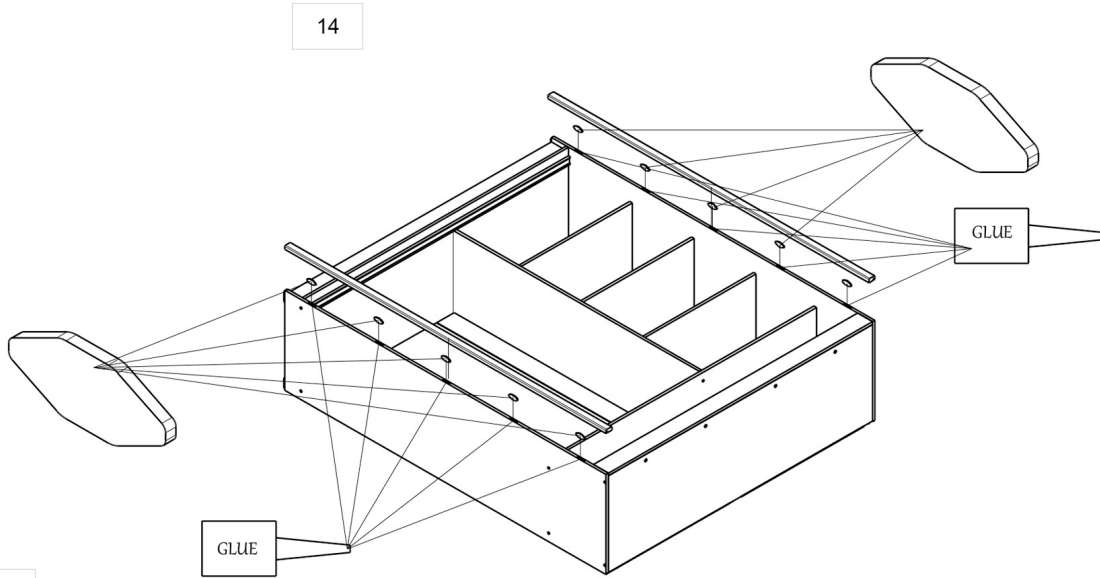
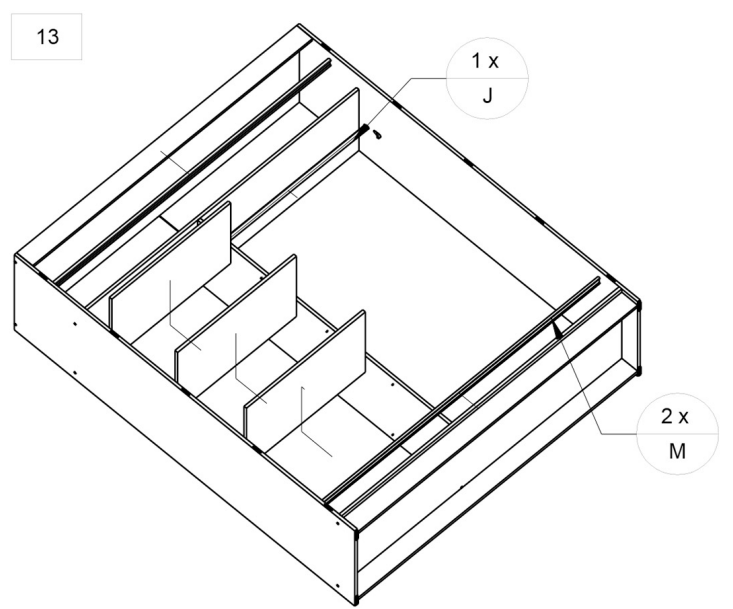
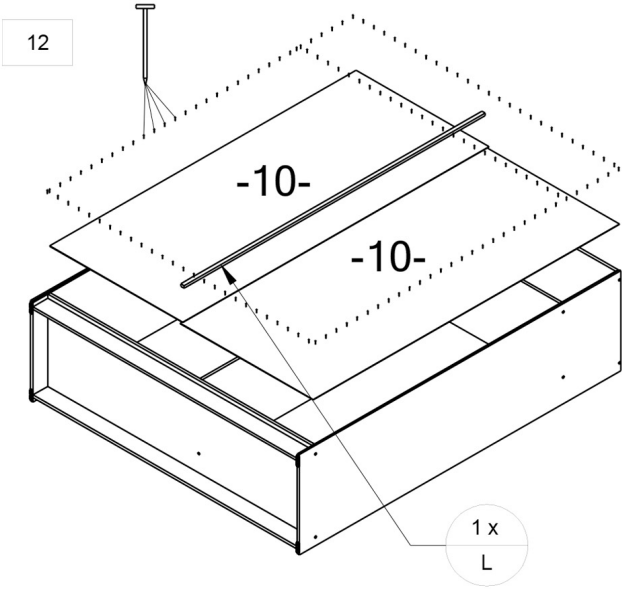
10







11



$a=b!$



120	150	180	203
 27	 33	 39	 45

